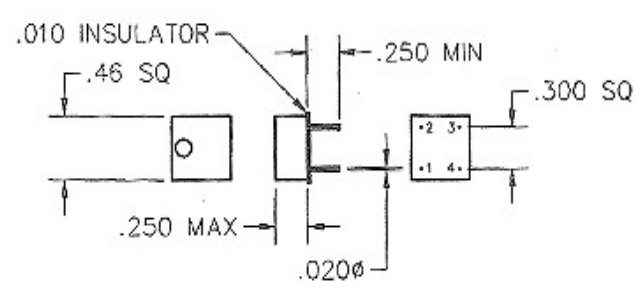


**Oscillator, Half Size VCXO**

DATA SHEET																	
Part Number	VC100																
Frequency Range	1.000MHz ~ 45.000MHz																
Frequency Stability*	±100PPM Standard (See Option Table)																
Operating Temperature Range	0°C ~ 50°C Standard (See Option Table)																
Supply Voltage (Vcc)	+5.0VDC ± 10%																
Current Consumption	15mA < 20M, 50mA > 20M																
Output Levels (HCMOS)	Voh = Vcc - .25V Min, Vol = 0.5V Max																
Rise Time (Tr) 10% to 90% of Vcc	5nS Max																
Fall Time (Tr) 90% to 10% of Vcc	5nS Max																
Output Symmetry	50 ± 10% measured at 1/2Vcc																
Output Load	15pF HCMOS																
Storage Temperature	-40°C ~ 125°C																
Linearity	±20% Max																
Aging	±3.0ppm / year																
Packaging	75 pc Box																
*Inclusive of calibration, temperature, supply and load.																	
OUTLINE DRAWING																	
<table border="1"> <thead> <tr> <th colspan="2">Pin Connection</th> </tr> </thead> <tbody> <tr> <td>1</td> <td>N/C (Tri-State)</td> </tr> <tr> <td>2</td> <td>GND</td> </tr> <tr> <td>3</td> <td>Output</td> </tr> <tr> <td>4</td> <td>+ Vcc</td> </tr> </tbody> </table>	Pin Connection		1	N/C (Tri-State)	2	GND	3	Output	4	+ Vcc							
Pin Connection																	
1	N/C (Tri-State)																
2	GND																
3	Output																
4	+ Vcc																
PART NUMBER TABLE																	
<table border="1"> <thead> <tr> <th>Option Code</th> <th>Specification</th> </tr> </thead> <tbody> <tr> <td>A</td> <td>Stability ±50 PPM</td> </tr> <tr> <td>B</td> <td>Stability ±25 PPM</td> </tr> <tr> <td>C</td> <td>Stability ±10 PPM</td> </tr> <tr> <td>1</td> <td>Pullability ±75 PPM</td> </tr> <tr> <td>5</td> <td>Pullability ±60 PPM</td> </tr> <tr> <td>D</td> <td>Symmetry 50±5%</td> </tr> <tr> <td>F</td> <td>Lead Configuration Gull Wing</td> </tr> </tbody> </table>	Option Code	Specification	A	Stability ±50 PPM	B	Stability ±25 PPM	C	Stability ±10 PPM	1	Pullability ±75 PPM	5	Pullability ±60 PPM	D	Symmetry 50±5%	F	Lead Configuration Gull Wing	<p align="center"><b>Part Number Generation</b></p> <p align="center">VC100 · Option Code · Frequency ex: VC100A1-27.000M (±50ppm stability, ±75ppm pullability, 40/60 Symm, 0°C ~ +50°C)</p> <p align="center">Please contact factory for custom specifications</p>
Option Code	Specification																
A	Stability ±50 PPM																
B	Stability ±25 PPM																
C	Stability ±10 PPM																
1	Pullability ±75 PPM																
5	Pullability ±60 PPM																
D	Symmetry 50±5%																
F	Lead Configuration Gull Wing																