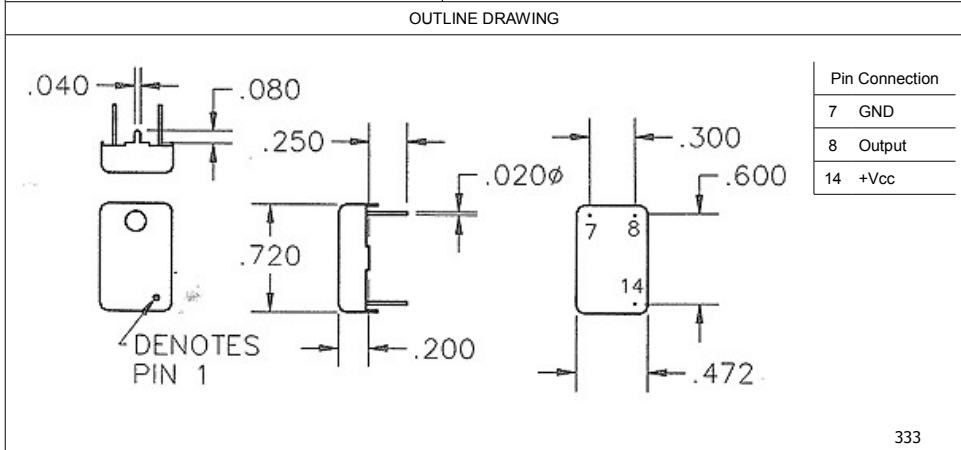


**TCXO, Low Profile**

DATA SHEET	
Part Number	TC1005
Frequency Range	8.000MHz ~ 45.000MHz
Frequency Stability	±3.0PPM Std (See Option Table)
Operating Temperature Range	0°C ~ +50°C Standard (See Option Table)
Supply Voltage	+5.0VDC ±5%
Frequency Stability vs Supply Voltage	±50PPM Standard (See Option Table)
Current Consumption	5mA Max
Output Wave Form	Clipped Sine
Output Load	10KΩ // 10pF
Output Voltage	1Vp-p Min
Aging per year	±1.0PPM Max
Storage Temperature	-40°C ~ 85°C
Frequency Adjustment	Mechanical Trimmer, ±3.0PPM Min



PART NUMBER TABLE	
Option Code	Specification
A	Stability ±1.0 PPM
B	Stability ±2.5 PPM
C	Stability ±5.0 PPM
D	Stability ±2.0 PPM
E	Operating Temp 0°C ~ +50°C
Y	Operating Temp -10°C ~ +65°C
Z	Operating Temp -30°C ~ +75°C
Q	Custom Operating Temperature

**Part Number Generation**

TC1005 · Option Code · Frequency  
ex: TC1005X-10.000M  
(±5.0PPM stability, 0°C ~ +50°C)

Please contact factory for custom specifications