

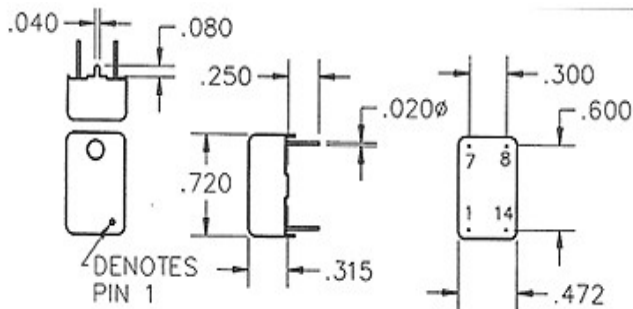
Oscillator, 14 Pin Dip Compatible

Wide Pullability VCXO

DATA SHEET	
Part Number	MT200
Frequency Range	1.00MHz ~ 70.000MHz
Frequency Stability*	±100PPM Standard (See Option Table)
Operating Temperature Range	0°C ~ 50°C Standard (See Option Table)
Supply Voltage (Vcc)	+5.0VDC ± 10%
Current Consumption	15mA < 20M, 50mA > 20M
Output Levels (HCMOS)	Voh = Vcc - .25V Min, Vol = 0.5V Max
Rise Time (Tr) 10% to 90% of Vcc	8nS Max
Fall Time (Tr) 90% to 10% of Vcc	8nS Max
Output Symmetry	50 ± 10% measured at 1/2Vcc
Output Load	50pF HCMOS
Storage Temperature	-40°C ~ 125°C
Tri-State (input pin 1)	Output Active 4.0V Min Output High Z 0.8V Max
Aging	±3.0ppm / year
Packaging	75 pcs Box
*Inclusive of calibration, temperature, supply and load.	

OUTLINE DRAWING

Pin Connection	
1	N/C (Tri-State)
7	GND
8	Output
14	+ Vcc



PART NUMBER TABLE

Option Code	Specification
A1	Stability ±50 PPM, Pullability ±100 PPM
A2	Stability ±50 PPM, Pullability ±150 PPM
B1	Stability ±25 PPM, Pullability ±100 PPM
B2	Stability ±25 PPM, Pullability ±150 PPM
C1	Stability ±50 PPM, Pullability ±250 PPM
D1	Stability ±100 PPM, Pullability ±350 PPM
E1	Stability ±100 PPM, Pullability ±500 PPM
F1	Overall Conditions, Pullability ±1000 PPM
D	Symmetry 50±5%
F	Lead Configuration Gull Wing

Part Number Generation

MT200 • Option Code • Frequency
ex: MT200B1-27.000M
(±25ppm stability, ±150ppm pullability, 40/60 Symm, 0°C ~ +50°C)

Please contact factory for suctom specifications