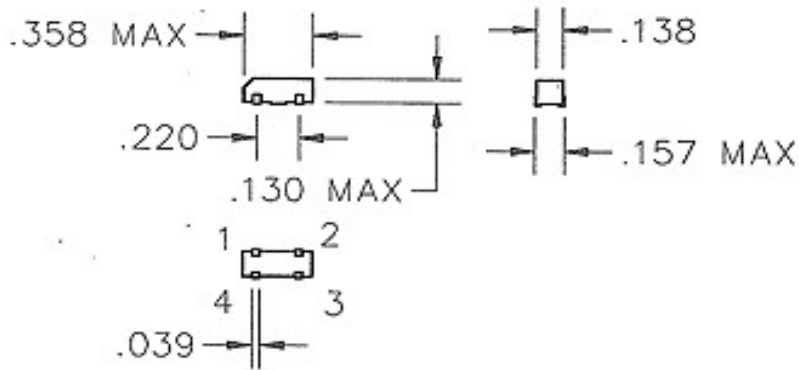


Crystal, SMD 32.768KHz

DATA SHEET	
Part Number	AX108
Frequency	32.768KHz
Calibration Tolerance @ 25°C	±50PPM Standard (See Option Table)
Operating Temperature Range	-10°C ~ 60°C Standard (See Option Table)
Frequency Stability over Temperature	±50PPM Standard (See Option Table)
Operation Mode	Fundamental
ESR	50KΩ Max
Q-Factor	60K (Typical)
Turnover Temperature	25°C ± 5°C
Parabolic Curvature Constant	-0.034ppm/°C ² max
Shock Resistance	±3PPM Max, natural drop 3 times on hard wood surface from height of 75 cm
Load Capacitance	12.5pF Standard, Specify Custom Values
Shunt Capacitance	1.5pF Typical
Aging per year	±5.0PPM Max
Drive Level	1μW
Packaging	Bulk standard, Option (-TR) Tape & Reel

OUTLINE DRAWING



Pins 1 & 4 Crystall Connection
Pins 2 & 3 Case Ground

PART NUMBER TABLE

Option Code	Specification
A	Stability ±20 PPM
B	Stability ±30 PPM
C	Operating Temp -30°C ~ +85°C
D	Tolerance ±20 PPM @ 25°C
E	Tolerance ±30 PPM @ 25°C

Part Number Generation

AX108 · Option Code · Frequency · Load Capacitance
ex: AX108B-32.768K
(±50ppm(tolerance)/±50ppm(stability), -10°C-60°C, 12.5pF)

Please contact factory for custom specifications