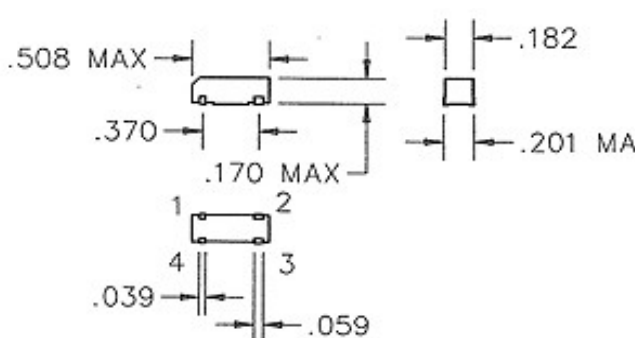


**Crystal, SMD**

DATA SHEET		
Part Number	AX107	
Frequency Range	3.500MHz ~ 70.000MHz	
Calibration Tolerance @ 25°C	±50PPM Standard (See Option Table)	
Operating Temperature Range	-10°C ~ 60°C Standard (See Option Table)	
Frequency Stability over Temperature	±50PPM Standard (See Option Table)	
Operation Mode / ESR	3.5M ~ 6.0M Fund • 150Ω	
	6.01M ~ 10.0M Fund • 100Ω	
	10.01M ~ 30.0M Fund • 50Ω	
	30.01M ~ 70.0M 3 <sup>rd</sup> OT • 90Ω	
Load Capacitance	16pF Standard, Specify Custom Values	
Shunt Capacitance	7.0pF Max	
Aging per year	±5.0PPM Max	
Drive Level	100nW (Calibration @ 100μW)	
Storage Temperature	-55°C ~ +125°C	
Packaging	Bulk standard, Option (-TR) Tape & Reel	
OUTLINE DRAWING		
 <p style="text-align: right;">Pins 1 % 4 Xtal Connection Pins 2 &amp; 3 Case Ground</p>		
PART NUMBER TABLE		
Option Code	Specification	<p style="text-align: center;"><b>Part Number Generation</b></p> <p style="text-align: center;">AX107 • Option Code • Frequency • Load Capacitance ex: AX107B-12.800M-18 (±50ppm(tolerance)/±30ppm(stability), -10°C ~ 70°C, 18pF)</p> <p style="text-align: center;">Please contact factory for custom specifications</p>
A	Stability ±20 PPM	
B	Stability ±30 PPM	
C	Operating Temp -30°C ~ +85°C	
D	Tolerance ±20 PPM @ 25°C	
E	Tolerance ±30 PPM @ 25°C	